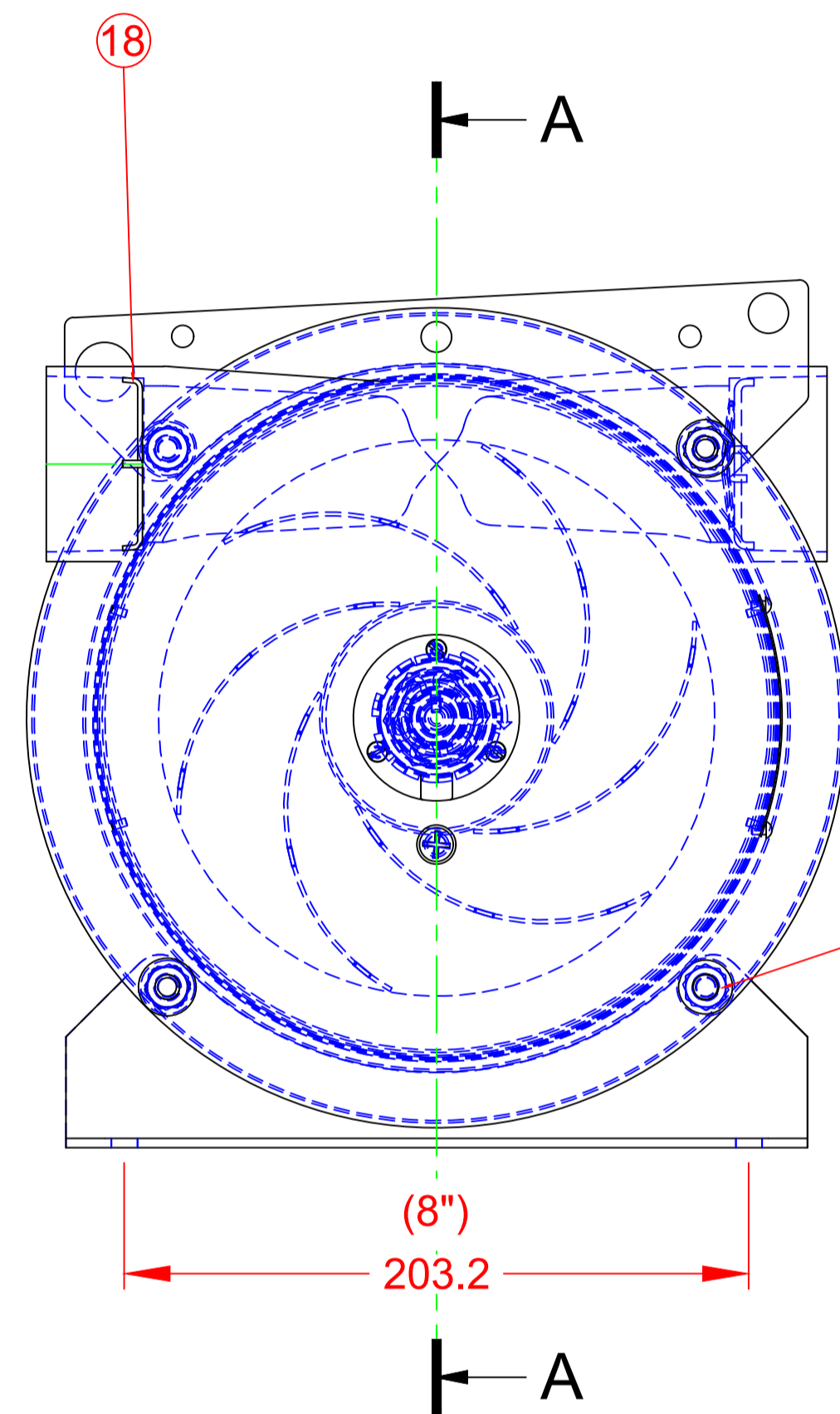
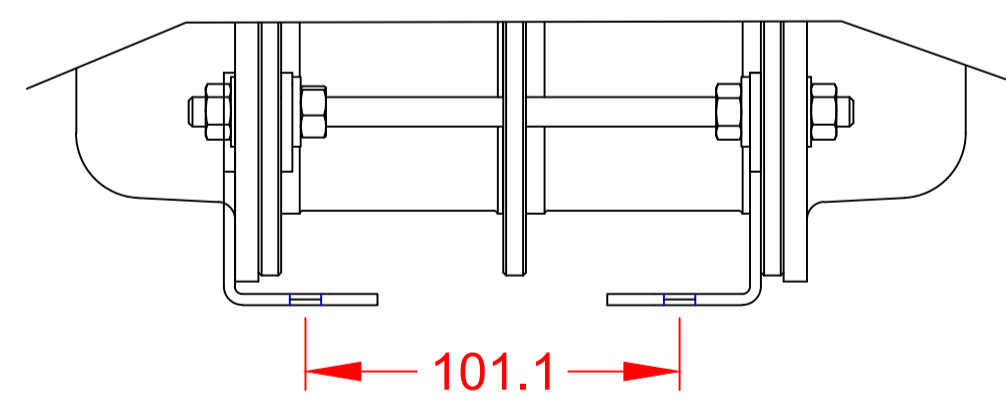
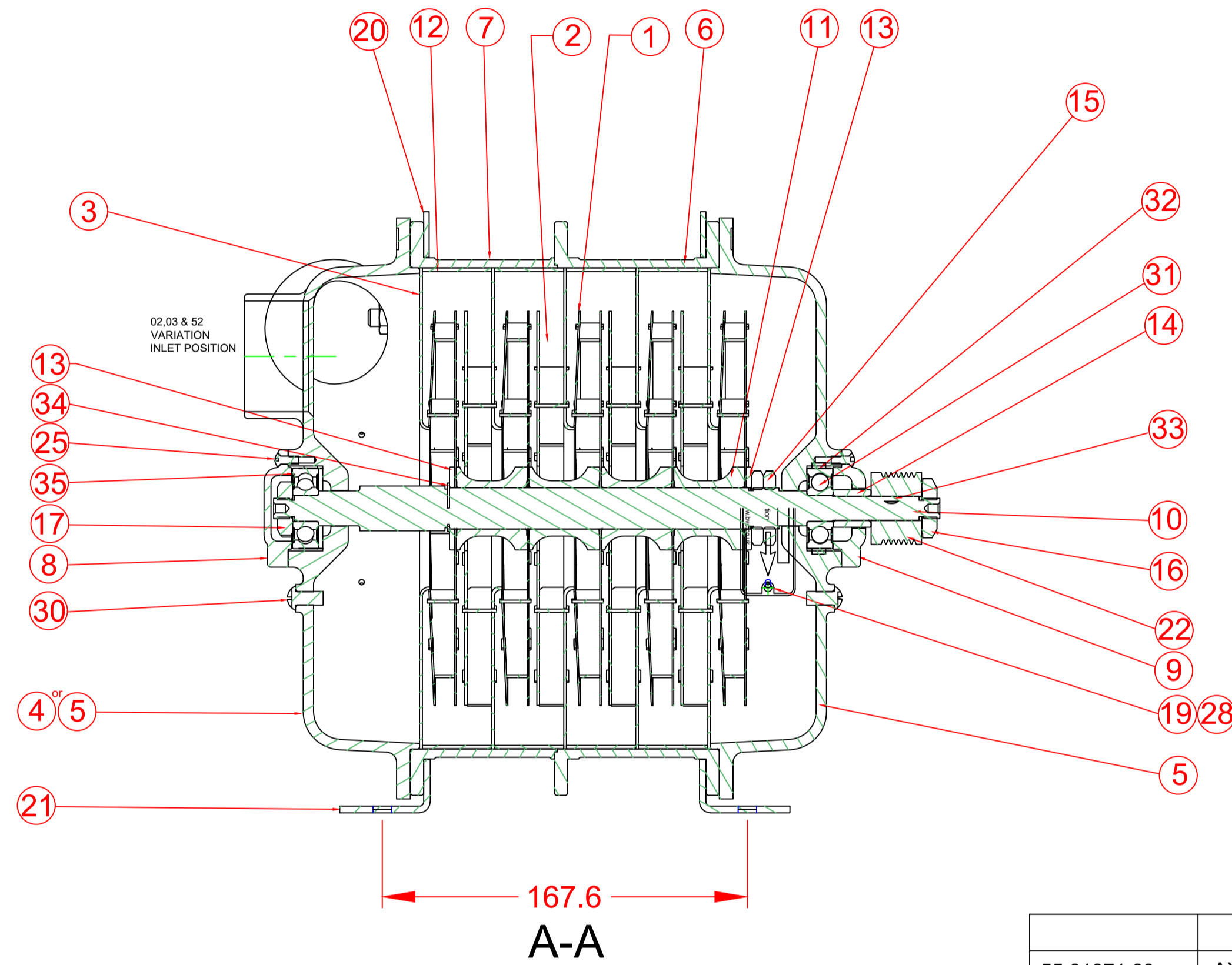


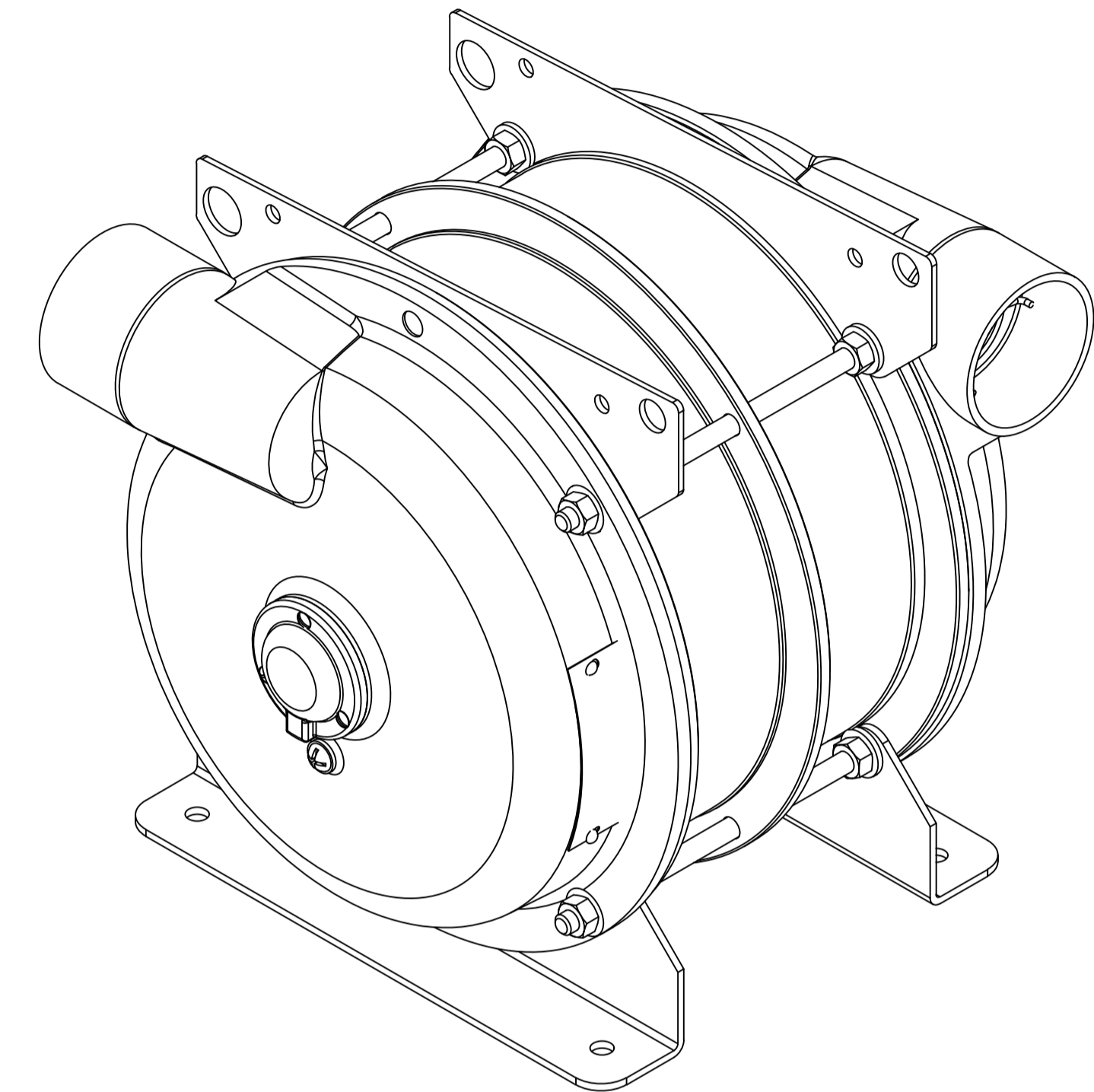
01 & 51 VARIATION
INLET + OUTLET
POSITIONS



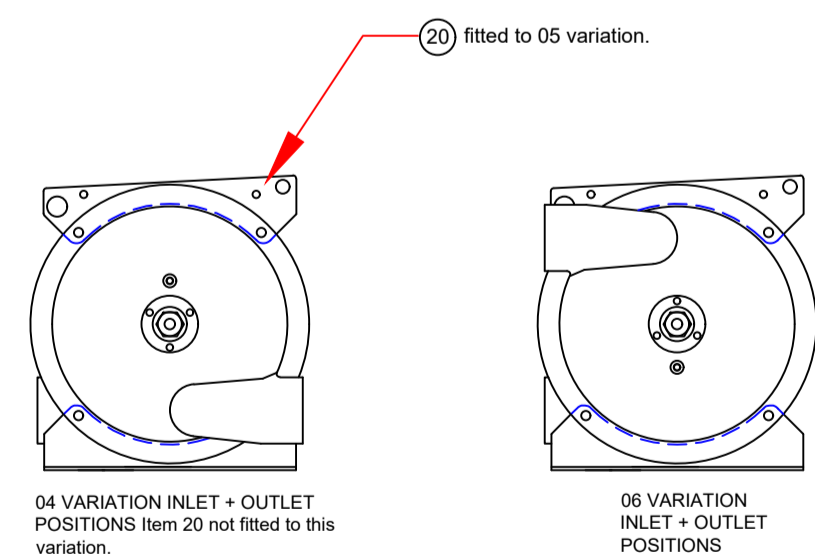
26
27
29



Arrangement of
Mounting Brackets for
03 variation.



PART NUMBER	DESCRIPTION
55 61871 60	AXIAL INLET AND TANGENTIAL OUTLET- (SERVICE EXCHANGE UNIT)
55 61871 52	AXIAL INLET AND TANGENTIAL OUTLET- CONDENSE UNIT (NOT USED).
55 61871 51	TANGENTIAL INLET AND OUTLET- CONDENSE UNIT (NOT USED).
55 61871 06	TANGENTIAL INLET AND OUTLET- SEE POSITIONAL SKETCH
55 61871 05	TANGENTIAL INLET AND OUTLET- BUT WITH ITEM 20 SEE POSITIONAL SKETCH
55 61871 04	TANGENTIAL INLET AND OUTLET- BUT NO ITEM 20 SEE POSITIONAL SKETCH
55 61871 03	AXIAL INLET AND TANGENTIAL OUTLET FEET INWARDS- SEE POSITIONAL SKETCH
55 61871 02	AXIAL INLET AND TANGENTIAL OUTLET
55 61871 01B	TANGENTIAL INLET AND OUTLET VERTICAL INLET
55 61871 01A	TANGENTIAL INLET AND OUTLET 60Hz PULLEY
55 61871 01	TANGENTIAL INLET AND OUTLET



04 VARIATION INLET + OUTLET
POSITIONS Item 20 not fitted to this
variation.

06 VARIATION
INLET + OUTLET
POSITIONS

TEST IN ACCORDANCE WITH TS201

MATERIAL
see parts list

FINISH
Paint specification
standard stoving
enamel thickness
50-100 microns
Colour grey RAL
7035

TOLERANCES

0 ±1
0.0 ±0.5
0.00 ±0.15
UNLESS STATED

SCALE:

N.T.S.

DIMENSIONS:


mm

PROJECT
STANDARD EXHAUSTER

TITLE
ATEX EXHAUSTER
ASSY YP5

DRAWING No.
55 61871 00

ISSUE	6	7	8	9	10	11	12	13	14	15
DATE	02/08/23									
PREPARED	ME									
CHECKED	-									
APPROVED	GPH									
CHANGE NOTE	23/037									

TITLE				YP5 EXHAUSTER ASSEMBLY PAINTED RAL9001							THIS DRAWING IS THE PROPERTY OF QUIREPACE Ltd. AND THE COPYRIGHT IS RESERVED BY THEM				No. 55 61871 06 Sheet 1 of 2	
ITEM	QTY.	DRAWING No.			STOCK CODE No.			DESCRIPTION				REMARKS				
1	5				54 54366 00			ATEX IMPELLER ASSEMBLY								
2	4				54 54370 00			ATEX DIFFUSER ASSEMBLY								
3	1				53 54372 01			ATEX DIFFUSER BACK PLATE								
4																
5	2				53 54402 02			OUTLET END FRAME TANGENTIAL								
6	1				53 35333 01			BODY 2 FLANGE								
7	1				53 35333 02			BODY 1 FLANGE								
8	1				53 54405 00			INLET END CAP								
9	1				53 54406 00			OUTLET END CAP								
10	1				53 61873 02			SHAFT YP5								
11	4				53 54409 00			IMPELLER SPACER								
12	4				53 54410 00			DIFFUSER SPACER								
13	2				53 54411 00			WASHER								
14	1				53 54412 00			SPACER								
15	2				53 54413 00			IMPELLER LOCKNUT								
16	1				53 54414 01			LOCKNUT RH THRD								
17	1				53 54414 02			LOCKNUT LH THRD								
18	1				54 56153 00			WIRE GUARD								
19	1				53 56946 02			NUMBER/ ROTATION PLATE								
20	2				53 60791 88			MOTOR MOUNTING PLATE UN PAINTED								
21	2				53 54415 88			MOUNTING BRACKET UNPAINTED								
22	1				53 61830 01			EXHAUSTER PULLEY								
23																
24																
25	6				83 35210 58			M3.5 X 10 CSK POZI ZP								
26	4				53 34893 02			STAY BOLT								
27	14				86 08002 58			M8 FULL NUT								
28	4				01 38001 58			DRIVE SCREW NO4 X 3/16 PK TYPE U BZP								
29	14				87 08002 58			WASHER M8								
30	2				83 60812 58			M6 X12 PAN HD POZI SCREW								
ISSUE	6	7	8	9	10	11	12	13	14	15					PARTS LIST No.	
DATE	02/08/23														55 61871 06	
PREPARED	ME															
CHECKED																
APPROVED	GPH															
CHANGE NOTE	23/037														Sheet 1 of 2	

TITLE YP5 EXHAUSTER ASSEMBLY PAINTED RAL9001				THIS DRAWING IS THE PROPERTY OF QUIREPACE Ltd. AND THE COPYRIGHT IS RESERVED BY THEM				No. 55 61871 06 Sheet 2 of 2	
---	--	--	--	---	--	--	--	---------------------------------	--

ITEM	QTY.	DRAWING No.	STOCK CODE No.	DESCRIPTION	REMARKS
31	2		01 16174 00	BEARING 6301 2RS1 12X37X12	
32	2		01 84100 00	STAR TOLERANCE RING HV 37x12 3.5 P	
33	1		01 71013 00	WOODRUFF KEY	
34	1		81 81007 00	CIRCLIP N1460-0075	
35	2		01 82143 00	WAVE WASHER	
36					
37					
38					
39					
40					
41					
42					
43					
44					
45					
46					
47					
48					
49					
50					
51					
52					
53					
54					
55					
56					
57					
58					
59					
60					

ISSUE	1	2	3	4	5	6	7	8	9	10
DATE	02/08/23									
PREPARED	ME									
CHECKED										
APPROVED	GPH									
CHANGE NOTE	23/037									



PARTS LIST No.	55 61871 06
Sheet 2 of 2	